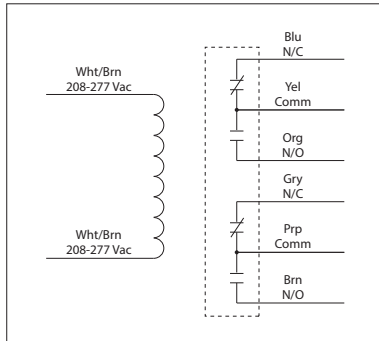


**20 AMP POWER CONTROL RELAY**

**RIB02P**

Enclosed Relay 20 Amp DPDT with  
208-277 Vac Coil



Made in USA  
Meets  
"Buy American"  
of ARRA 2009

RELAYS

**SPECIFICATIONS**

- # Relays & Contact Type: One (1) DPDT Continuous Duty Coil
- Expected Relay Life: 10 million cycles minimum mechanical
- Operating Temperature: -30 to 140° F
- Humidity Range: 5 to 95% (noncondensing)
- Operate Time: 18ms
- Relay Status: LED On = Activated
- Dimensions: 4.00" x 4.00" x 1.80" with .50" NPT Nipple
- Wires: 16", 600V Rated
- Approvals: UL Listed, UL916, UL864, C-UL California State Fire Marshal
- Housing Rating: UL Accepted for Use in Plenum, NEMA 1
- Gold Flash: Yes
- Override Switch: No

- Contact Ratings:
  - 20 Amp Resistive @ 300 Vac
  - 20 Amp Resistive @ 28 Vdc
  - 20 Amp Ballast @ 277-480 Vac
  - Not rated for Electronic Ballast
  - 15 Amp Resistive @ 600 Vac
  - 770 VA Pilot Duty @ 120 Vac
  - 1158 VA Pilot Duty @ 240 Vac
  - 1109 VA Pilot Duty @ 277 Vac
  - 1640 VA Pilot Duty @ 480 Vac
  - Heavy Pilot Duty @ 600 Vac
  - 3 HP @ 480-600 Vac
  - 2 HP @ 240-277 Vac
  - 1 HP @ 120 Vac

**Coil Current:**  
105 mA @ 208-277 Vac

**Coil Voltage Input:**  
208-277 Vac ; 50-60 Hz  
Drop Out = 60 Vac  
Pull In = 160 Vac